

HOT AIR SPOT HEATER **HOTGUN**



Shizuoka Seiki

HOTGUN 125NA

Ready for the new industrial heater standard?

“Hotgun” spot space heater heats the air with its high efficiency combustion system, and a conversion rate from fuel to energy of nearly 100%. This remarkable technology achieves very quiet combustion of 69dB, high efficiency and long running-time with the hottest air flow on the market.

“Hotgun” can run over 15 hours with its 14.3 gallon tank, and can be operated with diesel or kerosene. With the “Hotgun 125NA”, you will experience the new heater concept, and you won't be able to live without it in winter. The “Hotgun 125NA” is what you have been waiting for, for a long time as the appropriate heater for a new age.

Application examples:
Heat source in your – factory, warehouse, construction site
Dryer for – concrete finish, paint, glue

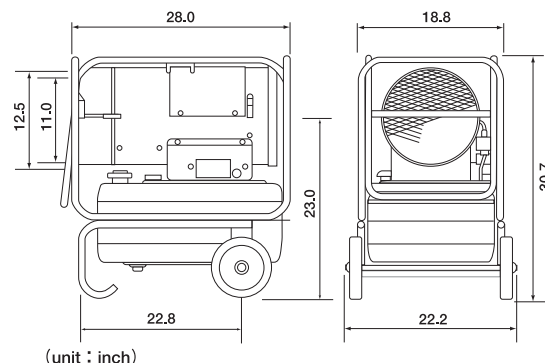


HOT AIR SPOT HEATER HOTGUN HG125NA

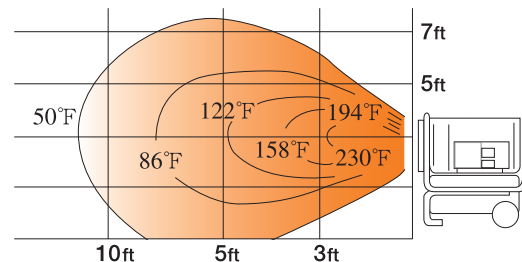
SPECIFICATION (HG125NA)

Item	Model	HG125NA
Heat Output		116,000 BTU/hr (34 kW)
Fuel		Diesel, Kerosene
Tank Capacity		14.3 gallons (54 liter)
Hot Air Flow		636 CFM (1,080 m ³ /h)
Power Source		110-120V, 50/60Hz Single phase
Fuel Consumption		0.9 gal/hr (2.9 kg)
Power Consumption		176 W
Control System		5sec.Prepurge 180sec.Postpurge
Safety Device		Photocell flame monitor Fuse, Overheat prevention
Burner Type		High pressure spray gun type
Dry Weight		82 lbs (37 kg)

Dimension HG125NA



Temperature Distribution HG125NA



Shizuoka Seiki Co., Ltd.

4-1 Yamana-cho, Fukuroi-shi, Shizuoka-ken 437-8601 Japan

Phone : +81-538-23-3990 Fax : +81-538-23-3192

E-mail : international@shizuokaseiki.com

URL : <https://www.shizuoka-seiki.co.jp/english/>

Printed in Japan C